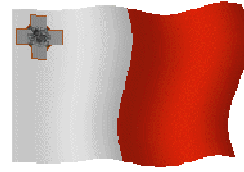


MARL



MALTA



Magazine by MARL

For Maltese and Gozitan
Radio Amateurs

Number 34

January 2009



Smoking is prohibited at the Centre

From the Editor

Friends,

I welcome you to the New Year 2009 and another issue of this magazine for January 2009, which is issue 34 of this series.

I remind you that this year according to the statute it's not only the Annual General Meeting that has to be held, but also the election for the new Committee.

I remind all the members that if they want to vote for the Committee in case of an election they will have to have paid their membership prior to the meeting. They will also have to have paid their previous year membership.

The yearly meeting where we meet together socially where we eat and have a drink was held on Sunday 4 January 2009.

Do not forget that as an association we represent all the radio amateurs in Malta not only before the Malta authorities, but also international organizations such as **IARU**.

In this issue we are bringing you **Dominic's 9H1M** Report as well as some more photos of the **IARU Region 1** Conference held in **Cavtat**, in **Croatia**, Therefore this issue is larger than usual.

In this Conference it clearly emerged that with **MARL** initiatives **Maltese** radio amateurs are at the forefront in connection with cooperation and working together with the Civil Protection Department, the **CPD**.

We always try to be the best in everything, but things do not depend on us but many times on authorities who do not always give the importance that we wish Maltese radio amateurs to be given. However, we shall still make our best efforts to bring forward Maltese radio amateurs and their hobby.

Do not forget that as from **1 January 2009** we will be able to use the frequency of **136 kHz**, that is between **135.7 and 137.8kHz**. I will be there. And you?

I hope that you find the information in the magazine useful to you and if you have some article please leave it in my **QSL** box.

Lawrence
9H1AV/9H9MHR

Internet link

Interesting RSGB webpage that has many links.

<http://www.keele.ac.uk/depts/por/psc.htm>

A link to the United States of America Naval Observatory where you may find a programme on the page where you give it your longitude and latitude and it will give you sunrise on whatever day you want. http://aa.usno.navy.mil/data/docs/RS_OneDay.php

Another interesting webpage for those who like to work on 10 metres

<http://www.southgatearc.org/bands/10metres/>

A webpage for those who like to work on transmissins reflected by meteorites on 6 and 2 metres <http://www.pingjockey.net/cgi-bin/pingtalk>

A webpage where you can download the WSJT programme and other programmes

<http://physics.princeton.edu/pulsar/K1JT/>

How to dispose of energy savers when they expire

<http://www.maine.gov/dep/rwm/homeowner/fluorescent.htm> as well as on other things on <http://www.mainedep.com/>

A webpage where you can download information on a transmitter for 80 Metres that uses components taken from an energy saver and where you can find other useful information and thus you will be recycling and saving money.

<http://mjrainey.googlepages.com/dasderelicht>

Webpages where there are many calculators

<http://www.csgnetwork.com/converters.html>

<http://www.csgnetwork.com/electronicconverters.html>

The webpage of Alan Melia G3NYK that has many other interesting links among them computer programmes that you can download where you can download

<http://www.alan.melia.btinternet.co.uk/>

An interesting webpage about means of communication, CW and trains

<http://www.faradic.net/~gsraven/index.shtml#contents>

Lawrence

9H1AV / 9H9MHR

136kHz

I remind you that as from 1 January this year Maltese radio amateurs can communicate on the 136kHz frequency.

I transmitted on 136kHz on 1 January. I hope to meet you on this frequency.

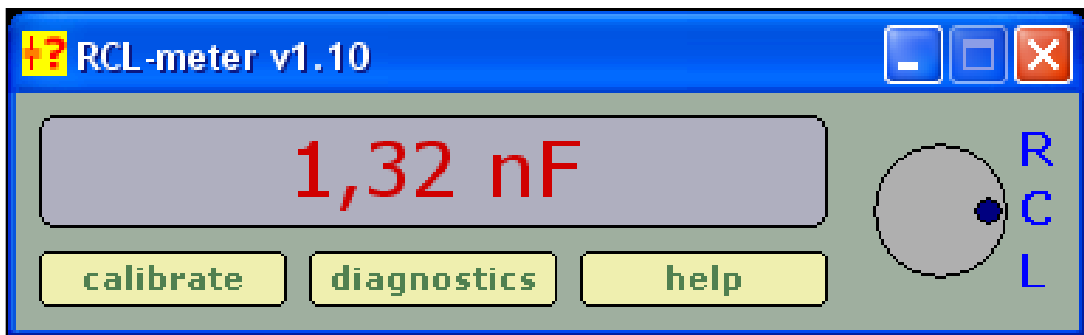
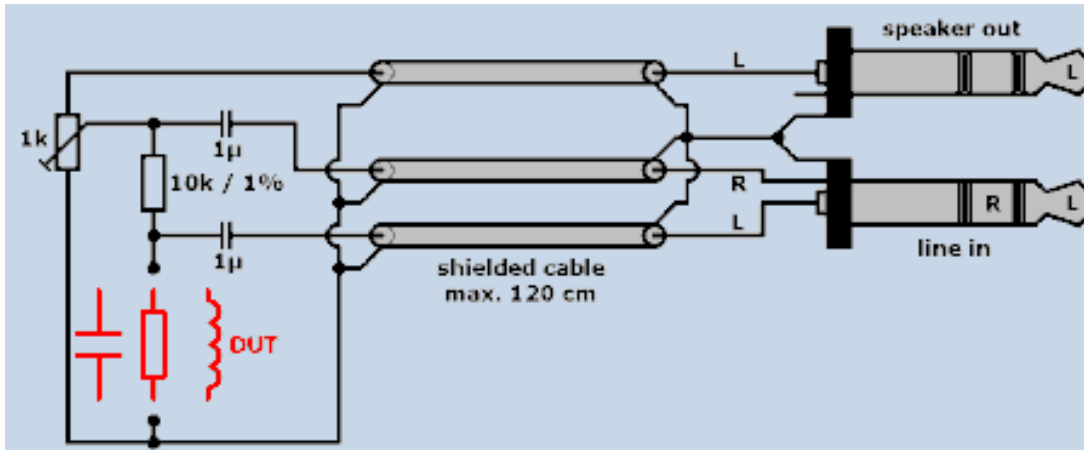
Lawrence

9H1AV / 9H9MHR

RLC Meter

Hereunder you have a circuit of an RLC meter by **ON7YD**. Details about this circuit and the computer programme for it can be downloaded from <http://www.rcl-meter.strobbe.eu/>

From the main webpage <http://www.qsl.net/on7yd/> there are a number of links on interesting things, among them a book on **136kHz** antennas, a number of links to apparatus that you can make, as well as a number of computer programmes and other circuits.



IARU Conference in Cavtat Croatia



**IARU R1
General Conference -
16 to 21 November 2008 -
Cavtat, Croatia**



Short Report
by Dominic Azzopardi 9H1M
Delegate for MARL

Venue
Croatia Hotel, Cavtat – Dubrovnik



Croatia Hotel is located in Cavtat at the very south of the Republic of Croatia, 18 kilometres from Dubrovnik and only 6 kilometres from Dubrovnik International Airport, 10 minutes walking distance from Cavtat.

Croatia Hotel lies in an exceptionally beautiful position and secluded location on a peninsula overlooking the Adriatic on one side and the picturesque old town of Cavtat on the other. The world famous medieval walled city of Dubrovnik can be seen from some hotel terraces.

List of delegates

No. Surname & Name	Callsign	Society	Country	Status
1 Al Qasmi Abdalla Darwish	A41KB	ROARS	Oman	Delegate
2 Alajmi Faisal	9K2RR	KARS	Kuwait	Delegate
3 Albalooshi Darwish Fatma			UAE	Partner
4 Alnesf Mohammad	9K2MN	KARS	Kuwait	Delegate
5 Annan Angus Gibson	MM1CCR	RSGB	GB	Delegate
6 Annan Mary Elizabeth			GB	Partner
7 Azrak Rizkallah	OD5RI	IARU R1 WG	Lebanon	IARU R1 WG/Com
8 Azzopardi Dominic	9H1M	MARL	Malta	Delegate
9 Baques Toni	EA3BRA	URE	Spain	Delegate
10 Beattie Donald	G3BJ	IARU R1 EC	GB	IARU R1 EC

11 Benlagha Afif	7X2RO	ARA	Algeria	Delegate
12 Berns Joachim	DL1YBL	DARC	Germany	Delegate
13 Bertels Gaston	ON4WF	IARU R1 WG	Belgium	IARU R1 WG/Com
14 Berzsényi Laszlo	HA5EA	MRASZ	Hungary	Delegate
15 Bienkowski Zdzislaw	SP6LB	PZK	Poland	Delegate
16 Blondeel Timmerman Hans	PB2T	IARU R1 EC	Netherlands	IARU R1 EC
17 Blondeel Timmerman Margaretha Maria			Netherlands	Partner
18 Buckley Finbarr	EI1CS	IRTS	Ireland	Delegate
19 Butler David John	G4ASR	RSGB	GB	Delegate
20 Callejas Martha			Mexico	Partner
21 Churma Sumner Linda			USA	Partner
22 Clayton-Smith Mary Hilary	G4JKS	IARU R1	GB	Observer
23 Danev Panayot	LZ1US	IARU R1 EC	Bulgaria	IARU R1 EC
24 Darwish Mohammad	A61M	EARS	UAE	Observer
25 Debouche Jacques	ON500	UBA	Belgium	Delegate
26 Denker Remy	PA3AGF	VERON	Netherlands	Delegate
27 Devoldere John	ON4UN	UBA	Belgium	Delegate
28 Diop Mouhamadou Moustapha	6W1KI	IARU R1 EC	Senegal	IARU R1 EC
29 Dombrowski Stefan	ON6TI	UBA	Belgium	Delegate
30 Ehlers Hans Heinrich	DF5UG	IARU R1 EC	Germany	IARU R1 EC
31 Eisenwagner Ronald	OE3REB	OEVSU	Austria	Delegate
32 Elkafrawi Mohamed	SU1KM	EARA	Egypt	Delegate
33 Ellam Tim	VE6SH	IARU IS	Canada	Observer
34 Erasmus Rassie	ZS1YT	SARL	South Africa	Delegate
35 Field Donald Ian	G3XTT	IARU R1	GB	Observer
36 Floesser Karin			Germany	Partner
37 Floesser Rainer	DL5NBZ	IARU R1 WG	Germany	IARU R1 WG/Com
38 Frey Peter	HB9MQM	USKA	Switzerland	Delegate
39 Garpestad Ole	LA2RR	IARU R1 EC	Norway	IARU R1 EC
40 Gierczycka Donata	SP5HNK	PZK	Poland	Delegate
41 Gould John William	G3WKL	RSGB	GB	Delegate
42 Green Dennis	ZS4BS	SARL	South Africa	Delegate
43 Greenshields Ian	G4FSU	IARU R1	GB	Observer
44 Hadel Wolfgang	DK2OM	IARU R1 WG	Germany	IARU R1 WG/Com
45 Harrison Martin	G3USF	IARU R1 WG	GB	IARU R1 WG/Com
46 Hartig Dennis M.	DL7RBI	DARC	Germany	Delegate
47 Heikinheimo Jukka Ilari	OH2BR	SRAL	Finland	Delegate
48 Ibrahim Fahad Saleh	A41LK	ROARS	Oman	Delegate
49 Jaehrig H. Joerg	DJ3HW	DARC	Germany	Delegate
50 Jaganjac Amir	T95O	ARA BiH	Herzegovina	Delegate
51 Kahundira Vagheni Cyprien	9Q1KS	ARAC	Congo	Delegate
52 Karlens Helge	LA1BR	NRRL	Norway	Delegate
53 Kastelic Michael	OE1MCU	IARU R1 WG	Austria	IARU R1 WG/Com
54 Kirby Peter	G0TWW	RSGB	GB	Delegate
55 Kirby Sandra			GB	Partner
56 Kootz Thilo	DL9KCE	DARC	Germany	Delegate
57 Kritzer Dieter	OE8KDK	OEVSU	Austria	Delegate
58 Kudlac Roman	OM3EI	SARA	Slovakia	Delegate
59 Landoulsi Mustapha	DL1BDF	CAST	Tunisia/Germany	Delegate
60 Leandro Reinaldo	YV5AMH	IARU R2	Venezuela	Observer
61 Liukkonen Jussi	OH5LK	SRAL	Finland	Delegate
62 Madhavan Gopal	VU2GMN	IARU R3	India	Observer
63 Magnin Betty	F6IOC	REF	France	Delegate
64 Maireder Peter	OE5MPL	OEVSU	Austria	Delegate

65 Marecek Jiri	OK2BWN	CRC	Czech Rep	Delegate
66 Martin Mauricette	F8BPN	REF	France	Delegate
67 Martin Philippe	F6ETI	REF	France	Delegate
68 Mbengue Papa Malick	6W1FJ	ARAS	Senegal	Delegate
69 Milanov Milcho	LZ1RF	BFRA	Bulgaria	Delegate
70 Milošević Hranislav	YT1AD	SRS	Serbia	Delegate
71 Mraz Anton	OM3LU	SARA	Slovakia	Delegate
72 Mueller Ulrich	DK4VW	DARC	Germany	Delegate
73 Navarro Pilar			Spain	Partner
74 Niava Jean Jacques	TU2OP	ARAI	Ivory Coast	Delegate
75 Niman Murray Jerel	G6JYB	RSGB	GB	Delegate
76 Nolan Sean	EI7CD	IRTS	Ireland	Delegate
77 Ntsiyep Florence	TJ3NT	ARTJ	Cameroun	Delegate
78 Odehnal Karel	OK2ZI	CRC	Czech Rep	Delegate
79 Owen Michael	VK3KI	IARU R3	Australia	Observer
80 Passet Claude	3A2LF	ARM	Monaco	Delegate
81 Pastor Kai	DG0YT	DARC	Germany	Delegate
82 Pazdersky Ivan	OK1PI	CRC	Czech Rep	Delegate
83 Percin Nikola	9A5W	IARU R1 EC	Croatia	IARU R1 EC
84 Price Larry	W4RA	IARU IS	USA	Observer
85 Prostecky Milos	OK1MP	CRC	Czech Rep	Delegate
86 Pyndt Hans	OZ5DX	EDR	Denmark	Delegate
87 Raad Hani	OD5TE	RAL	Lebanon	Delegate
88 Raicha Max	5Z4MR	IARU R1 EC	Kenya	IARU R1 EC
89 Ramon Carine	ON7LX	UBA	Belgium	Delegate
90 Romo Toni			Spain	Partner
91 Rusman Darko	T95A	ARA BiH	Herzegovina	Delegate
92 Saad Ali	9K2SS	KARS	Kuwait	Delegate
93 Santoyo Ramon	XE1KK	IARU R2	Mexico	Observer
94 Sauri Joan	C31US	URA	Andorra	Delegate
95 Scarlot Robert	3A2CR	ARM	Monaco	Delegate
96 Segalstad Tom V.	LA4LN	NRRL	Norway	Delegate
97 Shirville Graham Pau	G3VZV	RSGB	GB	Delegate
98 Simonjan Heikinheimo Loretta Artushevna			Finland	Partner
99 Skrzypczak Piotr	SP2JMR	PZK	Poland	Delegate
100 Slomczynski Krzysztof	SP5HS	PZK	Poland	Delegate
101 Stafford Rod	W6ROD	IARU IS	USA	Observer
102 Stauning Ivan	OZ7IS	EDR	Denmark	Delegate
103 Streif Stefan L.	HB9TTQ	USKA	Switzerland	Delegate
104 Stuyvenberg Ildiko			Hungary	Partner
105 Sumner David	K1ZZ	IARU IS	USA	Observer
106 Tabakovski Oliver	Z32TO	IARU R1 WG	Macedonia	IARU R1 WG/Com
107 Thiemann Andreas	HB9JOE	IARU R1 EC	Switzerland	IARU R1 EC
108 Thiemann Yvonne			Switzerland	Partner
109 Thomas Colin James	G3PSM	IARU R1 WG	GB	IARU R1 WG/Com
110 Thomas Gwendalyn			GB	Partner
111 Toresen Kjetil	LA8KV	NRRL	Norway	Delegate
112 Trujillo Diego	EA7MK	URE	Spain	Delegate
113 Van den Berg Abraham	PB0AOK	VERON	Netherlands	Delegate
114 Verholt Christian	OZ8CY	IARU R1 WG	Denmark	IARU R1 WG/Com
115 Vermaire Coen	PA5KM	VERON	Netherlands	Delegate
116 Welens Hans	ON6WQ	IARU R1 WG	Belgium	IARU R1 WG/Com
117 Whelan Robert C.	G3PJT	IARU R1 WG	GB	IARU R1 WG/Com
118 Whelan Rosemary			GB	Partner
119 Wysocki Wieslaw	SP2DX	PZK	Poland	Delegate

120 Yattara Hamadoun
Abdoulaye
121 Ypma Sjoerd
122 Zwingl Michael

TZ6HY
PA0SHY
OE3MZC

CRAM
VERON
OEVSV

Mali
Netherlands
Austria

Delegate
Delegate
Delegate

Conference Programme

Saturday 15th November 2008

14.00 – 18.30 Conference Registration (Main Foyer)
21.00 – 22.00 Main Foyer
19.00 – 20.00 HRS Reception (Tihi Salon)
20.00 – 21.30 Dinner (Restaurant)

Sunday 16th November 2008

07.00 – 09.30 Breakfast (Restaurant)
08.00 - 09.30 Conference Registration (Main Foyer)
10.00 – 11.30 Official opening & first Plenary (Congress Hall)
11.30- 12.30 Reception for invited guests (Salon Orlando)
12.45 – 13.45 Lunch (Restaurant)
14.00 – 15.30 Working Group meetings:
STARS (Salon Orlando),
HST (Salon 5),
ARSPEX(Salon 6),
EMC WG (Salon 7)

15.30 – 16.00 Tea (Piano Bar)
16.00 – 17.30 Working Group meetings:
ARDF (Salon 5),
EUROCOM (Salon 6),
IARUMS (Salon 7),
STARS (to 17.00 only – Salon Orlando)

17.00 – 18.00 **C2** meeting – Credentials (Salon Orlando)
18.00 – 18.45 Cash bar (Piano Bar)
18.45 – 20.15 Dinner (Restaurant)
20.30 – 22.15 Workshop - Operating Standards (Congress Hall)

Monday 17th November 2008

07.00 – 08.30 Breakfast (Restaurant)
08.30 – 09.00 Second Plenary (Congress Hall)
09.15 – 12.30 Committee **C4** (Congress Hall) / tea/coffee at 10.45 (Piano Bar)
09.15 – 12.30 Committee **C5** (Salon Orlando) / tea/coffee at 10.45 (Piano Bar)
12.45 – 13.45 Lunch (Restaurant)
14.00 – 18.00 Committee **C3** (Congress Hall) / tea/coffee at 15.30 (Piano Bar)
14.00 – 18.00 Committee **C5** (Salon Orlando) / tea/coffee at 15.30 (Piano Bar)
18.00 – 19.30 Committee **C2** – Finance (Salon Orlando)
18.45 – 19.30 Cash bar (Piano Bar)
19.30 – 20.45 Dinner (Restaurant)
21.00 – 22.15 Workshop - Foresight (Congress Hall)

Tuesday 18th November 2008

07.00 – 08.30 Breakfast (Restaurant)
08.30 – 12.30 Committee **C3** (Congress Hall) / Tea/coffee at 10.30 (Piano Bar)
08.30 – 12.30 Committee **C5** (Salon Orlando) / Tea/coffee at 10.30 (Piano Bar)

12.45 – 13.45 Lunch (Restaurant)
14.00 – 18.00 Committee **C3** (Congress Hall) / Tea/coffee at 15.45 (Piano Bar)
14.00 – 18.00 Committee **C5** (Salon Orlando) / Tea/coffee at 15.45 (Piano Bar)
18.30 – 19.30 **IARU** Reception (Tihi Salon)
19.45 – 21.15 Dinner (Restaurant)
21.30 - Committee **C2** (if needed) (Salon Orlando)
21.30 – 22.30 Workshops

Wednesday 19th November 2008

07.00 – 08.30 Breakfast (Restaurant)
08.30 – 12.30 Possible **C2** meeting - depending on progress (Salon Sipun)
08.30 – 12.30 Committee **C4** (Congress Hall) / Tea/coffee 10.30 (Piano Bar)
08.30 – 12.30 Committee **C5** (Salon Orlando) / Tea/coffee 10.30 (Piano Bar)
12.45 – 13.45 Lunch (Restaurant)
14.00 – 16.45 Committee **C3** (Congress Hall) / Tea/coffee 15.15 (Piano Bar)
14.00 – 16.45 Committee **C5** (Salon Orlando) / Tea/coffee 15.15 (Piano Bar)
17.00 – 17.30 Special Plenary – address from **ERO** (Congress Hall)
17.30 – 18.00 Committee **C3** Special Plenary – venue of next Conference (Congress Hall)
19.00 – 19.45 Cash bar (Piano Bar)
19.45 – 21.25 Dinner (Restaurant)
21.30 – 22.30 Workshops

Thursday 20th November 2008

07.00 – 08.30 Breakfast (Restaurant)
08.30 – 13.00 Final Plenary (Congress Hall) / Tea/coffee 10.30 (Piano Bar)
13.15 – 14.15 Lunch (Restaurant)
15.15 Tea/Coffee (Piano Bar)
18.00 – 19.00 Cash bar (Piano Bar)
19.00 Gala Dinner (Congress Hall) - for those who have selected this option

Friday 21st November 2008

07.00 – 08.30 Breakfast (Restaurant)
09.00 Day trip with lunch - for those who have selected this option
19.00 Cash bar (Piano Bar)
19.45 Dinner (Restaurant) - for those who have selected this option

Saturday 22nd November 2008

07.00 – 10.00 Breakfast (Restaurant) - not included in Conference meal package / to be paid separately
End of Programme.

Meetings

C1 Administration
C2 Finance
C3 Coordination
C4 HF Matters
C5 VHF Matters

Working Groups

ARSPEX Amateur Radio Space exploration
STARS Support to Amateur Radio Service
RRWG Radio Regulatory Working Group
EMC Electro Magnetic Compatibility
IPHA Information Programme for Handicapped
HST High Speed Telegraphy

ARDF Amateur Radio Direction Finding
EUROCOM Amateur Radio and European Community
ERC External Relations
EMERGENCY COMMS Emergency Communications
IARUMS IARU Monitoring Systems
ARISS Amateur Radio Int. Space Station

Workshops

Foresight Future of Amateur Radio
Operating Standards Standards, Ethics and Developments

Notes Taken in Meetings

16.11.2008

STARS Meeting (Afternoon)

It is recommended that all countries report to the relative regional coordinator with all happenings yearly **IARUMS** Meeting Coordinator; **Wolfgang Hadel DK20M**

This is an important programm for Radio Amateur as it is the Guardian for the Amateur Bands against Intruders.

In Germany referred to as the “**Band watch Programme**” Several intrusions in our bands were reported throughout the year and after necessary action most of them cleared out.

From end of March Next year, this sub committee will be very busy with the new Primary allocation of the **7.100 – 7.200MHz** band.

Already noticed several commercial stations and some in particular will be closely monitored to make sure they cease transmission in this portion.

In Present notice is the Commercial Station “Sound of Hope” from Taiwan which is presently transmitting on **14.005MHz**

During this meeting **MARL** officially joined this group and **9H1M** has been appointed as the Liaison officer for **Malta**.

16.11.2008

Workshop; Operating Standards (Evening)

Reference was made to the book issued by **ON4UN** and **ON4WW**. “**Operating Practices and Ethics Booklet**”

This book describes the code of ethics that should be observed in Radio Amateur Communications. In particular it is very informative and helpful especially to new comers.

It was also discussed (and later also passed and voted in Favour) that its material be used in the **RAE**.

Since most countries are making a translation in their own language, I committed myself to do the same and make a translation in the Maltese Language.

All translations are collected by the author and will be published.

IARU will decide weather to issue a publication of this book through **RSGB** since the latter said that they can do an issue that costs less than Euro 5.00 in full colour.

17.11.2008

C4 Meeting (Morning)

A new Beacon will be put up in the Arctic region TX on **14MHz**

Report on **500KHz** usage that is now legal in some countries

Discussion- since DXpeditions are costly, these can only be covered by the charges on the **QSL** card. However it was noted the fact that several other normal operating stations are no longer accepting cards via bureau but demanding payments which is unfair.

Contests in weekends are becoming too crowded and lots of complaints are coming in. It is advised that contests run in parallel and the number of weekends of operation is reduced.

However on the other hand Contests are important for certain societies as these generate funds and publicity.

The **80 Metre** band is suffering misuse. Many **AM** operators mostly **French** and **Dutch** are using the **3.550MHz** for **AM** operation. This is not right as this portion is reserved for the cw. They should move to the **SSB** portion further up the band. Some **Dutch** operators already moved to the **3.705MHz**.

17.11.2008

C3 Meeting (Afternoon)

Discussion on problems in **ARDF**

Amendments to By Laws

Eurocom and **EMC** reports

Exhibition in Brussels

An exhibition was put up in Brussels (**CT08_13_11 Eurocomm Report**) featuring the Amateur Radio and Space Exploration activities. The purpose of this exhibition was to promote the Amateur Radio with the European Union Members representatives.

It was then discussed the importance of such promos and advised that a good example would be by sending a Year planner to the Head of the communications Authority and Emergency/rescue Departments in order to remind them of our services,

IARUMS report;

Malta was mentioned as the latest entry in this group

IARUMS is working hand in hand with **CEPT**.

IARUMS is now highly recognized by the **CEPT** and **ITU**.

Huge achievements have been made in the last years in keeping our bands clean

Again, the 29th March 2009 was mentioned as an important date when the **7.100 – 7.200MHz** will be allocated primarily to radio amateurs.

Wolfgang DK20M was than unanimously nominated to serve as the coordinator of this group for the next 3 years.

17.11.2008

Workshop - Foresight (Evening)

This was a very interesting workshop on discussing the future of Radio Amateurs.

Attendees were divided in 2 groups.

An assignment was given to each group to raise a discussion on what is the cause of diminishing of the number of amateurs and what can be done.

It was highly agreed that one good move would be to provide help and assistance in emergency situations.

Here every country stated its current position and came out that **MALTA** is the most advanced in relations and achievements in with the relative departments.

A model was taken on **MALTA's** current state with our involvement with the **CPD** and the gear we have been promised and given such as training, bibs, ID cards, registered car permits etc.

The closest country to **MALTA** in such achievements in **R1** is The Netherlands.

18.11.2008

C3 (Morning)

Discussion on Future budgets of **IARU**

Reduction in membership fees may jeopardize the future.

So far the reserves of **IARU** are relative 1.5 years of membership fees.

Noted that selected countries have special rates

HAREC syllabus revisions

CEPT age of examination 14yrs

New Frequencies

5MHz is out of question also for near future.

52 – 54MHz is out of question also for near future.

136KHz – accepted in most countries but **1W EIRP**

7.2-7.3MHz so far still pending further discussions with broadcasters and ok in **R2**

C3 (Afternoon)

Discussions about **JOTA**.

Importance and Purpose of the amateur radio to participate in such jamborees. Now for more than 50 years.

Voted for “**Shall IARU promote JOTA?**”, all in favor except 1 country.

Voted for the Code of Ethics Booklet; All in favor.

Voted for **Qsl** or **eQsl** cards; **eQsl** not passed- as is.

18.11.2008

C3 (Afternoon) /cont

Discussions on **Garec**.

Several suggestions were made with regards of the Emergency simulations call sign prefix / denominations.

It was concluded that the word “**Emergency**” be only used for the real situation.

Also the word like **Pan Pan, SOS** and **Mayday**.

The “**/d**” is not defined in the **AR** Handbook and therefore cannot be used.

Votes were then taken and again the “**/d**” did not pass.

Discussion on definition of QSO.

Minimum requirements;
Both call signs be exchanged and confirmed
Both stations exchange **RST**
Comments on **RST / RS** reports.

It was brought up in discussion that these reports are no longer being used correctly. Many times the maximum **599** is given. This in most cases is not true. Most of the time a **47** will be much more accurate and quite the same acceptable.

In contests **59** and **599** are generally being pre programmed – this is nonsense. Such contests are doing so as to fulfill the requirements of a qso.

A recommendation was then forwarded for contest operators to give chance to young and newcomers by organizing specific contests for eg. Under18 and e.g. newcomers that have participated in less than 10 contests.

All agreed on the above.

18.11.2008

Evening - **STARS** workshop

19.11.2008

C4 (Morning)

40M – New band plan and definitions

Discussions on split frequency operations

Split frequency operation is ideal mostly for qso with countries that have different band plans. In such case the operation should announce the frequency of listening.

Most of this is already stated in the HF handbook.

According to **HF** manual- Digitized speech is considered as a digital data transmission. Therefore it was concluded that such modes operate in the data portion of the bands.

Voted in favor- **C4-15, C4-11, C4-9, C4-29**

Nominations for group coordinator just in case since Thomas Colin is sitting for President.
New **C4** chairman has a great task in the next 3 years in working on the **500KHz** band.

C3 (Afternoon)

Recommendations and reports.

Recommendation **33 DV05** was accepted to be delayed for 2010

ARDF Reports

ARISS Reports by **Gaston Bertels ON4WF**

19.11.2008

C3 (Afternoon) /cont.

ARISS activities at present- mostly on **VHF**.

More activities are planned for future.

With help from amateur radio lots of schools have successfully communicated directly with the International Space Station.

From **November 2008, OM1DWN** is a permanent resident in the Space station.

Successful installation of antennas on the European Columbus.- **ARCOL** (Amateur Radio on Columbus)

Collaboration with the European Union to develop on board equipment on Columbus and to provide funds for education studies in schools.

This is good news as Media highly promote amateur radio in such events.

Report on “Foresight”

Here **MALTA** was again mentioned as a model for Amateur Radio recognition in assistance in emergency situations.

Here reference was made to approach me to mention our achievements and advice the best approach to do so.

I then lead a small meeting for several members and explained our involvements within the **CPD** etc.

A presentation was then held by Alexander Gulyaev **ERO** Chairman of **ECC** (Electronics commission committee) assisted by **CEPT** chairman.

CEPT concepts and **HAREC** exams incl. licenses.(3 Levels)

CEPT are promoting emergency comms. and disaster relief.

19.11.2008

C3 (Afternoon) /continuation

Discussion on Venue for the next Conference

Proposals from **UK (Hartfield)**, **Spain (Malaga)** and **South Africa (Sun City)**

Evening – Visit and operating of **9A0IARU** temporary station.

20.11.2008

Final Plenary (Morning)

Election results;

President Hans Blondeel Timmerman PB2T

Vice President Mustafa Diop 6W1KI

Secretary Dennis Green ZS4BS

Treasurer Andreas Thiemann HB9JOE

EC Members

Panayot Danev LZ1US 32votes

Betty Magnin F6IOC 36votes

Nokola Percin 9A5W 33votes

Hani Raad OD5TE 39votes

Colin Thomas G3PSM 24votes

IARU R1 Medal trophy – **Don Beattie G3BJ**

Venue for 2011 conference - South Africa

Afternoon - Private Meeting and training with Gaston Bertels **ON4WF** regarding the **MARL** and **9H1M** involvement in **ARISS**.

Evening- Official speeches from new elected and closing of Conference during the Gala Dinner.



During the Gala Dinner



Operating 9A0IARU



The New Committee

End of Report

Activities

Practical Training

Practical training is going to be held for everyone, both those who have just started as well as those who wish to retrain a little.

The subjects include Security, Tools and Instruments, Procedures, Soldering, Project Building, Testing, Fault Finding, and more.

The classes are going to be held at the MARL Centre every Tuesday between 7.00 p.m. and 9.00 p.m. and are going to start from 13 January.

Those interested should apply and contact Dominic 9H1M.

Every suggestion will be considered.

Annual General Meeting

The Annual General Meeting will be held on Sunday 22 February 2009 from 10.00 onwards. Do not forget that you have to have paid your membership before the meeting and also paid for the previous year to be able to vote if there is an election.

Membership payments

For all those who want to pay their membership the Financial Secretary is waiting for you with open arms to receive your payment. Payment can be made every Tuesday and Thursday between 6.00 p.m. and 8.00 p.m. and on Sundays between 10.00 and Noon or by cheque by post payable to **M.A.R.L.**

Yahoo Group

Be attentive and become members in the yahoo group to be fully informed with the latest activities that we intend to hold.

Food

I remind you that every alternate Thursday, that is, Thursday yes Thursday no, an eating activity is held at the Club where whoever is present and is not on diet may eat against a nominal payment. For more details speak to Joe, 9H1AJ.

**Lawrence
9H1AV/9H9MHR**