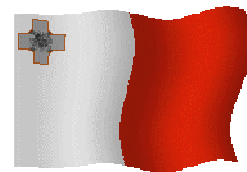


MARL



MALTA



Magazine by MARL

For Maltese and Gozitan
Radio Amateurs

Number 48

March 2010



Smoking is prohibited at the Centre

From the Editor

Friends,

I welcome you to another issue of this magazine for March 2010, which is issue 48 of this series.

I would like to remind the members that in February we had the Annual General Meeting that was held on **Sunday 28 February at 10.00 a.m.**

In this magazine you have some photos of this **MARL** Annual General Meeting that was held at our Centre. As you can see the attendance was numerous and it would be good if it will be so numerous during the rest of the year.

There were interventions by a number of members as you can see from the photos, but it is necessary that members do not switch on their personal amplifiers during the meeting.

There were some who paid membership, but there are still some who have not and therefore should do so the first time he comes to the Centre.

Again I remind you that no smoking is allowed at the centre because there are some who do not care and there has to be some other member to bring it to their attention.

In this edition you also have news where more radio amateurs from other countries are being given the new frequencies of **500 kHz** and **70 MHz**, but here in Malta the authorities appear not to want to shoulder their responsibility and give us an allocation on them.

Lately we heard about a number of earthquakes the caused disasters in the countries where they occurred. Don't forget that we are also in the world and therefore everyone should be ready do that of God forbid something happens he would be able to work from outside his home.

Don't forget that in a disaster the first things that are cut off will probably be electricity and the means of communication. Therefore think about what you may need to continue to operate.

Although we have an emergency group that works hand in hand with the Civil Protection Department, the number is limited as requested by the same Department and therefore we cannot increase it. Later on we will give you more details about things that are connected with this group and its achievements.

As always, I hope that you find the information in the magazine useful to you and if you have some article please leave it in my **QSL** box or you can send it to me on my e-mail **9h1av at searchmalta dot com**.

Lawrence
9H1AV/9H9MHR

2010 Annual General Meeting



9H1PI

9H1E

9H1JT





9H1PI

9H1ES



9H1ES

9H1XE

9H1AJ



9H5PC





9H1IS



9H1PS



9H1EJ



9H1LO



9H1M



Photos 9H1AV, 9H9MHR

500kHz 5 MHz and 70 MHz

Today I have other news about what is happening outside our country on these frequencies. I have given you several times a list of countries whose radio amateurs have permission to use this frequency. Today I have another news item from the USA

Glenn Zook, K9STH, who is also the **QRZcom** moderator wrote to the **FCC** to allocate the frequencies between **70 MHz** and **70.5 MHz** to American radio amateurs. He referred to the fact that a number of European and African countries had given their radio amateurs an allocation on this frequency.

He also referred to that fact that television **Channel 4** that used to be on this frequency and other channels had now moved to **UHF** because they have changed over to the digital system and therefore there is not fear of interference although there are still a considerable number of repeaters that service particular localities.

He asked that radio amateurs that hold Technician, General, Advanced and Extra Class licenses to be able to use **1,500 watts pep**, while novice licenses could use **200 watts pep**.

It is expected that he will have much support for his request from other radio amateurs and there's no doubt that since in America they are advanced much more than the Maltese authorities to give allocations to their radio amateurs as one can see even by their allocation on **500 kHz** and the power with which they can transmit on every frequency, I do not think that they will have to wait for long to be given the requested allocation.

One can see the request that he has made on <http://forums.qrz.com/showthread.php?t=234707>

It's also good that you should know that in a major spectrum consultation exercise launched by the Bahraini telecommunications regulator, the Telecommunications Regulatory Authority (**TRA**), seeks comments inter alia on whether all or parts of the band **69.95 MHz - 70.5 MHz** should be offered to the amateur service in Bahrain for propagation experiments. The consultation document (which also seeks comments on **500 kHz** and **5 MHz**) can be downloaded from <http://www.tra.org.bh>

As one can see there are many countries that are giving an allocation to their radio amateurs not only on this frequency but also on **500 kHz** as well as on **5 MHz**.

And here in Malta? Maybe the authorities will start moving when the white flies arrive.

Iceland

As from 19 February 2010 Icelandic radio amateurs were given temporary permission by the Post and Telecommunication Administration to use the **4 Metre** frequency, that is **70 MHz** as well as **600 metru**, that is **500 kHz** until the end of the year. This news was given by the President of the Icelandic radio amateurs Association **Radioamatorar (IRA)** <http://www.is/pages/viewpage.action?pageId=4194372> **Jonas Bjarnason, TF2JB**.

Bjarnason said that after acquiring a special license from the **PTA** stations with class "**N**" and "**G**" can work between **493 kHz – 510 kHz** and between **70 MHz - 70.2 MHz** with a power of **100 Watts** on secondary basis. There's no doubt that these will be given permanently later on.

These developments show that while other countries are at the forefront where allocation of new frequencies to their radio amateurs are concerned, in Malta we always remain the last people because the authorities are always afraid to take a decision.

New Zealand

Another bit of news is that New Zealand radio amateurs were given permission so that from 1 March they can use frequencies between **505 kHz to 515 kHz** with a power of **25 Watts e.i.r.p.** One can find further details on the internet link <http://www.rsm.govt.nz/cms/licensing/types-of-licence/general-user-licences/amateur-radio-operators/>

It is interesting that the New Zealand radio amateurs also have these frequencies apart from other frequencies found in Region 3 that have a greater spread of frequencies that Region 1.

130 kHz to 190 kHz
26.95 MHz to 27.30 MHz
921.00 MHz to 929.00 MHz

Lawrence
9H1AV/9H9MHR

Curiosity

Did you ever notice that on the computer keyboard the letters **F** and **J** have a projection while others do not? The reason is simple.

These are used by those who use the keyboard without looking at the letters that is type with the system known as touch-typing, to determine where they put their fingers.

They put the left index finger on the letter **F** and the right index finger on the **J** before they start typing so that thus they would know where their fingers are.

Interesting Book

All those who have an **HF** communication receiver and want to restore it should not miss the chance of downloading a book that shows how to do the required restoration written by **Chris Parry BSc, G8JFJ**.

This book which is titled "**The Restoration of Valved HF Communications Receivers**" can be downloaded for free from this link <http://www.vk2bv.org/radio/parry1.htm> and has very interesting information that no doubt helps those who want to do a good restoration job.

After all it is free and all you have to do is go to the downlink I gave you and download it.

Lawrence
9H1AV/9H9MHR

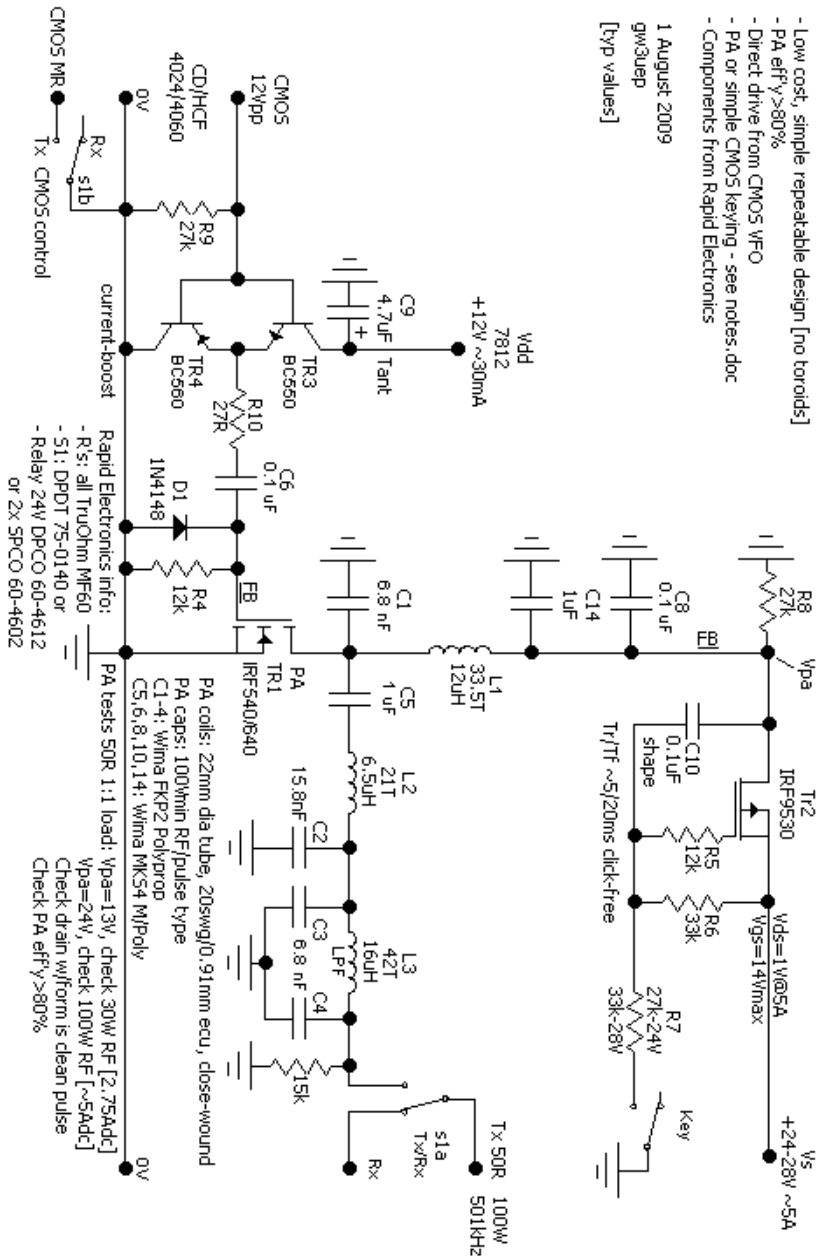
500 kHz

Today you have an amplifier circuit for all those who want to have something ready so that if at some time we are given permission they will be ready to operate at once on this frequency. I will give you further circuits in future.

GW3UEP 100W MF CW PA

- Low cost, simple repeatable design [no toroids]
- PA eff γ > 80%
- Direct drive from CMOS WFO
- PA or simple CMOS keying - see notes.doc
- Components from Rapid Electronics

1 August 2009
gw3uep



WinDjView

As you know certain books, circuits, apparatus handbooks and other items are produced by what is in short called **PDF**, that is, in English called **Portable Document File** that to view them there is a special programme that can be downloaded free of charge.

There is another system, called **DjView** which is like the **PDF** system with the difference that books etc that use this system are much smaller and therefore take much less space in the computer than **PDF** one. To view them one has to have the programme like one has to have the other programme to view files that use the **PDF** system.

Here you have a link from where you can download the free programme to be able to see these books etc that use the **WinDjView** system. There is also a programme for **Mac** that can be downloaded from the same page.

WinDjView

<http://windjview.sourceforge.net/>

Lawrence

9H1AV/9H9MHR

MARL Activities

Payment of Membership

We remind you that the financial secretary is always ready to accept membership fees whenever the **MARL** Centre is open or if you cannot come you can pay by cheque payable to **MARL**. Membership is €23

We remind you that the **MARL** is open every Tuesday and Thursday between 6.00 p.m. and 8.00 p.m. and Sunday between 10.00 and Midday.

Yahoo Group

Be attentive and become members in the yahoo group to be fully informed with the latest activities that we intend to hold.

Do not forget that we may have activities which may not be able to appear on this magazine because it may have already been issued and therefore the notice will be sent on the yahoo group.

Send an e-mail to Ivan, **9H1PI** ivan.privitera at gmail.com to become members in the group.

We remind you that whoever wants to can download the Magazine from www.9h1mrl.org/newsletter.htm

Lawrence

9H1AV/9H9MHR